

**AC ADJUSTABLE CLEVIS DOUBLE CYLINDER WITH:**  
**ROD:** Steel 1045, rod with 28-32 HRC hardness, 0.001"chrome thickness. ASTM B117-18 salt spray testing up to 96 hours.  
**TUBE:** Precision honed steel for extended seal life.  
**GLAND:** Ductile Iron ASTM A536 65-45-12.  
**PISTON:** Ductile Iron, for increased durability.  
**BASE END CELVIS:** Casting-steel welding with tube, pins and clips included.

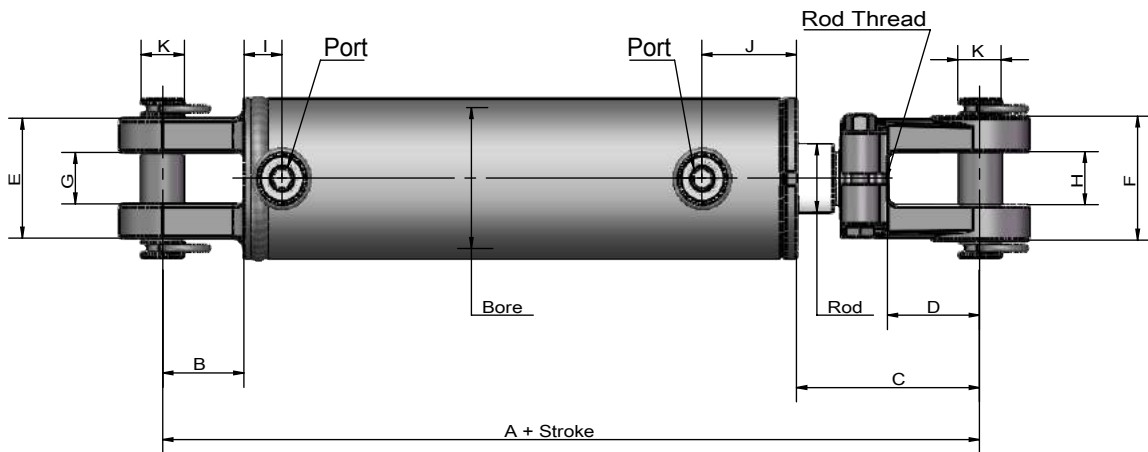
**PORTS:** Standard SAE  
 (NPT Available upon request).

**PIN:** Steel, zinc plated.

**SEALS:** Top quality, Hallite Brand Seals.

**ROD CLEVIS:** Ductile Iron, thread female clevis  
 With pins and clips included. Adjustable with locking bolt.

**PAINT:** High quality paint for corrosion resistance up to 360 hours. (Standard color: Black).



\*All DIMENSIONS ARE INCHES.

BORE	ROD	ROD THREAD	PORTS	A	B	C	D	E	F	G	H	I	J	K
1.50	1.000"	7/8-14 UNF	SAE 6	10.25"	1.625"	4.500"	1.625"	1.750"	2.000"	0.875"	0.875"	0.938"	1.875"	0.750"
2.00	1.125"	1 1/8-12 UNF	SAE 8	10.25"	2.125"	3.625"	2.125"	2.125"	2.504"	1.125"	1.165"	0.812"	2.062"	1.000"
2.50	1.250"	1 1/8-12 UNF	SAE 8	10.25"	2.125"	3.625"	2.125"	2.125"	2.504"	1.125"	1.165"	0.812"	2.062"	1.000"
3.00	1.500"	1 1/4-12 UNF	SAE 8	10.25"	1.875"	3.625"	2.125"	2.625"	2.717"	1.125"	1.165"	0.875"	2.188"	1.000"
3.50	1.750"	1 1/4-12 UNF	SAE 8	10.25"	1.875"	3.625"	2.125"	2.625"	2.717"	1.125"	1.165"	0.938"	2.188"	1.000"
4.00	2.000"	1 1/2-12 UNF	SAE 8	10.25"	1.750"	3.625"	2.125"	2.625"	2.717"	1.125"	1.165"	1.000"	2.188"	1.000"

For 8.00" ASAE Stroke: A = 12.25"

For 8.00" ASAE Stroke: E = 6.50" (1.50" to Bore ) E = 5.62" (2.00 to 4.00" Bore)

The LDAC 3000PSI Adjustable Clevis Cylinders were designed both combing with welding type and tie rod cylinder type, the benefits for users are better functionality, adjustable assembling distance with rod clevis. Each cylinder undergoes rigorous testing for over 50,000 circles with 3000PSI equivalent load. Good reliable quality ensures **2 Years Limited Warranty**.

\*All numbers given are nominal values and should be used for reference only. All product specifications are subject to change without prior notice.



**3000 PSI DOUBLE ACTING - ADJUSTABLE CLEVIS TYPE**

PART NUMBER	BORE & STROKE	DIMENSIONS		ROD DIAMETER	PIN SIZE	PORTS	COLUMN LOADS (LBS)	WEIGHT (LBS)			
		RETRACTED	EXTENDED								
AC-1504-LD	1.5" X 4"	14 1/4"	18 1/4"	1"	3/4"	SAE 6	5300	10			
AC-1506-LD	1.5" X 6"	16 1/4"	22 1/4"				5300	11			
AC-1508-LD	1.5" X 8"	18 1/4"	26 1/4"				5300	12			
AC-1508-ASAE-LD	1.5" X 8"	20 1/4"	28 1/4"				5300	13			
AC-1510-LD	1.5" X 10"	20 1/4"	30 1/4"				5300	13			
AC-1512-LD	1.5" X 12"	22 1/4"	34 1/4"				5300	15			
AC-1514-LD	1.5" X 14"	24 1/4"	38 1/4"				5300	16			
AC-1516-LD	1.5" X 16"	26 1/4"	42 1/4"				5200	17			
AC-1518-LD	1.5" X 18"	28 1/4"	46 1/4"				4400	18			
AC-1520-LD	1.5" X 20"	30 1/4"	50 1/4"				3700	20			
AC-1524-LD	1.5" X 24"	34 1/4"	58 1/4"				2700	22			
AC-1528-LD	1.5" X 28"	38 1/4"	66 1/4"				2100	25			
AC-1530-LD	1.5" X 30"	40 1/4"	70 1/4"				1900	26			
AC-1532-LD	1.5" X 32"	42 1/4"	74 1/4"				1700	27			
AC-1534-LD	1.5" X 34"	44 1/4"	78 1/4"				1500	28			
AC-1536-LD	1.5" X 36"	46 1/4"	82 1/4"				1300	29			
AC-2004-LD	2" X 4"	14 1/4"	18 1/4"				1 1/8"	1"	SAE 8	9400	16
AC-2006-LD	2" X 6"	16 1/4"	22 1/4"							9400	17
AC-2008-LD	2" X 8"	18 1/4"	26 1/4"							9400	19
AC-2008-ASAE-LD	2" X 8"	20 1/4"	28 1/4"							9400	19
AC-2010-LD	2" X 10"	20 1/4"	30 1/4"	9400	20						
AC-2012-LD	2" X 12"	22 1/4"	34 1/4"	9400	22						
AC-2014-LD	2" X 14"	24 1/4"	38 1/4"	9400	23						
AC-2016-LD	2" X 16"	26 1/4"	42 1/4"	8400	25						
AC-2018-LD	2" X 18"	28 1/4"	46 1/4"	7000	27						
AC-2020-LD	2" X 20"	30 1/4"	50 1/4"	5900	28						
AC-2024-LD	2" X 24"	34 1/4"	58 1/4"	4400	31						
AC-2030-LD	2" X 30"	40 1/4"	70 1/4"	3000	36						
AC-2036-LD	2" X 36"	46 1/4"	82 1/4"	2200	41						
AC-2504-LD	2.5" X 4"	14 1/4"	18 1/4"	1 1/4"	1"	SAE 8				14700	19
AC-2506-LD	2.5" X 6"	16 1/4"	22 1/4"							14700	20
AC-2508-LD	2.5" X 8"	18 1/4"	26 1/4"							14700	22
AC-2508-ASAE-LD	2.5" X 8"	20 1/4"	28 1/4"							14700	23
AC-2510-LD	2.5" X 10"	20 1/4"	30 1/4"							14700	24
AC-2512-LD	2.5" X 12"	22 1/4"	34 1/4"							14700	26
AC-2514-LD	2.5" X 14"	24 1/4"	38 1/4"							14700	28
AC-2516-LD	2.5" X 16"	26 1/4"	42 1/4"				12800	30			
AC-2518-LD	2.5" X 18"	28 1/4"	46 1/4"				10700	32			
AC-2520-LD	2.5" X 20"	30 1/4"	50 1/4"				9100	34			
AC-2524-LD	2.5" X 24"	34 1/4"	58 1/4"				6700	38			
AC-2530-LD	2.5" X 30"	40 1/4"	70 1/4"				4600	44			
AC-2536-LD	2.5" X 36"	46 1/4"	82 1/4"				3400	49			

\*All numbers given are nominal values and should be used for reference only. All product specifications are subject to change without prior notice.



**3000 PSI DOUBLE ACTING - ADJUSTABLE CLEVIS TYPE**

PART NUMBER	BORE & STROKE	DIMENSIONS		ROD DIAMETER	PIN SIZE	PORTS	COLUMN LOADS (LBS)	WEIGHT (LBS)
		RETRACTED	EXTENDED					
AC-3004-LD	3" X 4"	14 1/4"	18 1/4"	1 1/2"	1"	SAE 8	21200	24
AC-3006-LD	3" X 6"	16 1/4"	22 1/4"				21200	26
AC-3008-LD	3" X 8"	18 1/4"	26 1/4"				21200	29
AC-3008-ASAE-LD	3" X 8"	20 1/4"	28 1/4"				21200	29
AC-3010-LD	3" X 10"	20 1/4"	30 1/4"				21200	31
AC-3012-LD	3" X 12"	22 1/4"	34 1/4"				21200	33
AC-3014-LD	3" X 14"	24 1/4"	38 1/4"				21200	36
AC-3016-LD	3" X 16"	26 1/4"	42 1/4"				21200	38
AC-3018-LD	3" X 18"	28 1/4"	46 1/4"				21200	41
AC-3020-LD	3" X 20"	30 1/4"	50 1/4"				18800	43
AC-3024-LD	3" X 24"	34 1/4"	58 1/4"				14000	48
AC-3030-LD	3" X 30"	40 1/4"	70 1/4"				9600	56
AC-3036-LD	3" X 36"	46 1/4"	82 1/4"				7000	63
AC-3504-LD	3.5" X 4"	14 1/4"	18 1/4"				1 3/4"	1"
AC-3506-LD	3.5" X 6"	16 1/4"	22 1/4"	28800	32			
AC-3508-LD	3.5" X 8"	18 1/4"	26 1/4"	28800	35			
AC-3508-ASAE-LD	3.5" X 8"	20 1/4"	28 1/4"	28800	36			
AC-3510-LD	3.5" X 10"	20 1/4"	30 1/4"	28800	38			
AC-3512-LD	3.5" X 12"	22 1/4"	34 1/4"	28800	41			
AC-3514-LD	3.5" X 14"	24 1/4"	38 1/4"	28800	44			
AC-3516-LD	3.5" X 16"	26 1/4"	42 1/4"	28800	47			
AC-3518-LD	3.5" X 18"	28 1/4"	46 1/4"	28800	50			
AC-3520-LD	3.5" X 20"	30 1/4"	50 1/4"	28800	53			
AC-3524-LD	3.5" X 24"	34 1/4"	58 1/4"	26000	59			
AC-3530-LD	3.5" X 30"	40 1/4"	70 1/4"	17900	68			
AC-3536-LD	3.5" X 36"	46 1/4"	82 1/4"	13000	77			
AC-4004-LD	4" X 4"	14 1/4"	18 1/4"	2"	1"	SAE 8		
AC-4006-LD	4" X 6"	16 1/4"	22 1/4"				37600	38
AC-4008-LD	4" X 8"	18 1/4"	26 1/4"				37600	42
AC-4008-ASAE-LD	4" X 8"	20 1/4"	28 1/4"				37600	43
AC-4010-LD	4" X 10"	20 1/4"	30 1/4"				37600	46
AC-4012-LD	4" X 12"	22 1/4"	34 1/4"				37600	49
AC-4014-LD	4" X 14"	24 1/4"	38 1/4"				37600	53
AC-4016-LD	4" X 16"	26 1/4"	42 1/4"				37600	57
AC-4018-LD	4" X 18"	28 1/4"	46 1/4"				37600	60
AC-4020-LD	4" X 20"	30 1/4"	50 1/4"				37600	64
AC-4024-LD	4" X 24"	34 1/4"	58 1/4"				37600	71
AC-4030-LD	4" X 30"	40 1/4"	70 1/4"				30500	82
AC-4036-LD	4" X 36"	46 1/4"	82 1/4"				22200	93

\*All numbers given are nominal values and should be used for reference only. All product specifications are subject to change without prior notice.