

AG AGRICULTURE WELDED DOUBLE CYLINDER WITH:

ROD: Steel 1045, rod with 28-32 HRC hardness, 0.001"chrome

thickness. ASTM B117-18 salt spray testing up to 96 hours.

TUBE: Precision honed steel for extended seal life.

GLAND: Ductile Iron ASTM A536 65-45-12.

2 SAE Ports with A and B positions, flexible to assembling.

Rod Clevis: Steel-casting clevis with pins and clips included.

PISTON: Ductile Iron ASTM A536 65-45-12 for increased durability.

PIN: Steel, zinc plated.

PORTS: Standard SAE.

(NPT Available upon request).

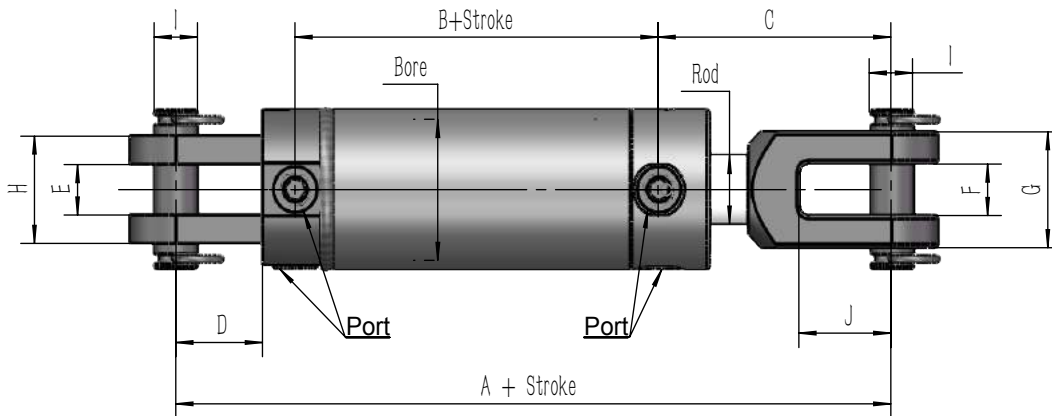
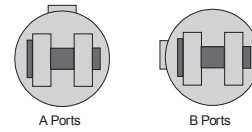
SEALS: Top quality, Hallite Brand Seals.

CONSTRUCTION: Heavy Duty welded construction.

BASE END CLEVIS: Steel-casting clevis with pins and clips included.

2 SAE Ports with A and B positions, Flexible to assembling.

PAINT: High quality paint for corrosion resistance up to 360 hours. Standard color is Black. Custom colors are available.

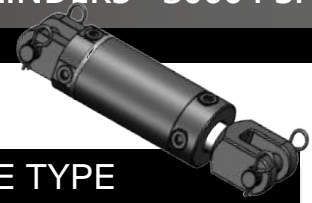


*All DIMENSIONS ARE INCHES.

BORE	ROD	PORTS	A	B	C	D	E	F	G	H	I	J
1.50"	0.866"	SAE 6	9.50"	4.125"	3.500"	1.25"	0.843"	0.850"	1.770"	1.80"	0.75"	1.250"
2.00"	1.250"	SAE 8	12.25"	4.375"	5.124"	2.00"	1.102"	1.125"	2.545"	2.04"	1.00"	2.125"
2.50"	1.500"	SAE 8	12.25"	4.375"	5.124"	2.00"	1.102"	1.125"	2.545"	2.35"	1.00"	2.125"
3.00"	1.500"	SAE 8	12.25"	4.375"	5.124"	2.00"	1.102"	1.125"	2.545"	2.35"	1.00"	2.125"
3.50"	1.750"	SAE 8	12.25"	4.375"	5.124"	2.00"	1.102"	1.125"	2.545"	2.67"	1.00"	2.125"
4.00"	1.750"	SAE 8	12.25"	4.375"	5.124"	2.00"	1.102"	1.125"	2.545"	2.67"	1.00"	2.125"
5.00"	2.000"	SAE 8	12.25"	5.350"	4.270"	2.00"	1.102"	1.125"	2.545"	2.67"	1.00"	2.125"

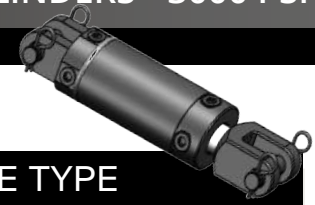
The LDAG 3000PSI Agriculture Welded Cylinders were designed for agriculture machines, the benefits for 2 ports both in A and B position making the assembling way more flexible. LDAG is quite famous in Australia and South Africa agriculture markets. Each cylinder undergoes rigorous testing for over 50,000 circles with 3000PSI equivalent load. Good reliable quality ensures **2 Years Limited Warranty**.

*All numbers given are nominal values and should be used for reference only. All product specifications are subject to change without prior notice.


3000 PSI DOUBLE ACTING - AGRICULTURE TYPE

PART NUMBER	BORE & STROKE	DIMENSIONS		ROD DIAMETER	PIN SIZE	PORTS	WEIGHT (LBS)
		RETRACTED	EXTENDED				
AG-1502-LD	1.5"x2"	11 1/2"	13 1/2"	0.866"	3/4"	SAE 6	7
AG-1504-LD	1.5"x4"	13 1/2"	17 1/2"				8
AG-1506-LD	1.5"x6"	15 1/2"	21 1/2"				9
AG-1508-LD	1.5"x8"	17 1/2"	25 1/2"				11
AG-1510-LD	1.5"x10"	19 1/2"	29 1/2"				12
AG-1512-LD	1.5"x12"	21 1/2"	33 1/2"				13
AG-1516-LD	1.5"x16"	25 1/2"	41 1/2"				15
AG-1518-LD	1.5"x18"	27 1/2"	45 1/2"				16
AG-1520-LD	1.5"x20"	29 1/2"	49 1/2"				17
AG-1524-LD	1.5"x24"	33 1/2"	57 1/2"				19
AG-1530-LD	1.5"x30"	39 1/2"	69 1/2"				23
AG-1536-LD	1.5"x36"	45 1/2"	81 1/2"				26
AG-1548-LD	1.5"x48"	57 1/2"	105 1/2"				40
AG-2002-LD	2"x2"	14 1/4"	16 1/4"				1 1/4"
AG-2004-LD	2"x4"	16 1/4"	20 1/4"	18			
AG-2006-LD	2"x6"	18 1/4"	24 1/4"	20			
AG-2008-LD	2"x8"	20 1/4"	28 1/4"	22			
AG-2010-LD	2"x10"	22 1/4"	32 1/4"	23			
AG-2012-LD	2"x12"	24 1/4"	36 1/4"	25			
AG-2014-LD	2"x14"	26 1/4"	40 1/4"	27			
AG-2016-LD	2"x16"	28 1/4"	44 1/4"	29			
AG-2018-LD	2"x18"	30 1/4"	48 1/4"	30			
AG-2020-LD	2"x20"	32 1/4"	52 1/4"	32			
AG-2022-LD	2"x22"	34 1/4"	56 1/4"	34			
AG-2024-LD	2"x24"	36 1/4"	60 1/4"	36			
AG-2026-LD	2"x26"	38 1/4"	64 1/4"	38			
AG-2028-LD	2"x28"	40 1/4"	68 1/4"	39			
AG-2030-LD	2"x30"	42 1/4"	72 1/4"	41			
AG-2036-LD	2"x36"	48 1/4"	84 1/4"	46			
AG-2042-LD	2"x42"	54 1/4"	96 1/4"	52			
AG-2048-LD	2"x48"	60 1/4"	108 1/4"	57			
AG-2504-LD	2.5"x4"	16 1/4"	20 1/4"	1 1/2"	1"	SAE 8	20
AG-2506-LD	2.5"x6"	18 1/4"	24 1/4"				22
AG-2508-LD	2.5"x8"	20 1/4"	28 1/4"				24
AG-2510-LD	2.5"x10"	22 1/4"	32 1/4"				26
AG-2512-LD	2.5"x12"	24 1/4"	36 1/4"				29
AG-2514-LD	2.5"x14"	26 1/4"	40 1/4"				31
AG-2516-LD	2.5"x16"	28 1/4"	44 1/4"				33
AG-2518-LD	2.5"x18"	30 1/4"	48 1/4"				33
AG-2520-LD	2.5"x20"	32 1/4"	52 1/4"				35
AG-2522-LD	2.5"x22"	34 1/4"	56 1/4"				38
AG-2524-LD	2.5"x24"	36 1/4"	60 1/4"				40
AG-2526-LD	2.5"x26"	38 1/4"	64 1/4"				42
AG-2528-LD	2.5"x28"	40 1/4"	68 1/4"				44
AG-2530-LD	2.5"x30"	42 1/4"	72 1/4"				46
AG-2536-LD	2.5"x36"	48 1/4"	84 1/4"	51			
AG-2542-LD	2.5"x42"	54 1/4"	96 1/4"	57			
AG-2548-LD	2.5"x48"	60 1/4"	108 1/4"	64			

*All numbers given are nominal values and should be used for reference only. All product specifications are subject to change without prior notice.


3000 PSI DOUBLE ACTING - AGRICULTURE TYPE

PART NUMBER	BORE & STROKE	DIMENSIONS		ROD DIAMETER	PIN SIZE	PORTS	WEIGHT (LBS)			
		RETRACTED	EXTENDED							
AG-3004-LD	3"x4"	16 1/4"	20 1/4"	1 1/2"	1"	SAE 8	26			
AG-3006-LD	3"x6"	18 1/4"	24 1/4"				29			
AG-3008-LD	3"x8"	20 1/4"	28 1/4"				31			
AG-3010-LD	3"x10"	22 1/4"	32 1/4"				33			
AG-3012-LD	3"x12"	24 1/4"	36 1/4"				38			
AG-3014-LD	3"x14"	26 1/4"	40 1/4"				40			
AG-3016-LD	3"x16"	28 1/4"	44 1/4"				42			
AG-3018-LD	3"x18"	30 1/4"	48 1/4"				44			
AG-3020-LD	3"x20"	32 1/4"	52 1/4"				46			
AG-3022-LD	3"x22"	34 1/4"	56 1/4"				49			
AG-3024-LD	3"x24"	36 1/4"	60 1/4"				51			
AG-3026-LD	3"x26"	38 1/4"	64 1/4"				53			
AG-3028-LD	3"x28"	40 1/4"	68 1/4"				57			
AG-3030-LD	3"x30"	42 1/4"	72 1/4"				60			
AG-3036-LD	3"x36"	48 1/4"	84 1/4"				66			
AG-3042-LD	3"x42"	54 1/4"	96 1/4"				73			
AG-3048-LD	3"x48"	60 1/4"	108 1/4"				82			
AG-3506-LD	3.5"x6"	18 1/4"	24 1/4"				1 3/4"	1"	SAE 8	49
AG-3508-LD	3.5"x8"	20 1/4"	28 1/4"							51
AG-3510-LD	3.5"x10"	22 1/4"	32 1/4"							55
AG-3512-LD	3.5"x12"	24 1/4"	36 1/4"	57						
AG-3514-LD	3.5"x14"	26 1/4"	40 1/4"	60						
AG-3516-LD	3.5"x16"	28 1/4"	44 1/4"	64						
AG-3518-LD	3.5"x18"	30 1/4"	48 1/4"	66						
AG-3520-LD	3.5"x20"	32 1/4"	52 1/4"	71						
AG-3524-LD	3.5"x24"	36 1/4"	60 1/4"	75						
AG-3530-LD	3.5"x30"	42 1/4"	72 1/4"	86						
AG-3536-LD	3.5"x36"	48 1/4"	84 1/4"	95						
AG-3542-LD	3.5"x42"	54 1/4"	96 1/4"	104						
AG-3548-LD	3.5"x48"	60 1/4"	108 1/4"	113						
AG-4008-LD	4"x8"	20 1/4"	28 1/4"	1 3/4"	1"	SAE 8				51
AG-4012-LD	4"x12"	24 1/4"	36 1/4"				57			
AG-4016-LD	4"x16"	28 1/4"	44 1/4"				64			
AG-4018-LD	4"x18"	30 1/4"	48 1/4"				66			
AG-4020-LD	4"x20"	32 1/4"	52 1/4"				71			
AG-4024-LD	4"x24"	36 1/4"	60 1/4"				77			
AG-4030-LD	4"x30"	42 1/4"	72 1/4"				86			
AG-4036-LD	4"x36"	48 1/4"	84 1/4"				97			
AG-4042-LD	4"x42"	54 1/4"	96 1/4"				106			
AG-4048-LD	4"x48"	60 1/4"	108 1/4"				117			
AG-5008-LD	5"x8"	20 1/4"	28 1/4"	2"	1"	SAE 8	68			
AG-5012-LD	5"x12"	24 1/4"	36 1/4"				77			
AG-5016-LD	5"x16"	28 1/4"	44 1/4"				84			
AG-5018-LD	5"x18"	30 1/4"	48 1/4"				88			
AG-5020-LD	5"x20"	32 1/4"	52 1/4"				93			
AG-5024-LD	5"x24"	36 1/4"	60 1/4"				101			
AG-5030-LD	5"x30"	42 1/4"	72 1/4"				115			
AG-5036-LD	5"x36"	48 1/4"	84 1/4"				126			
AG-5048-LD	5"x48"	60 1/4"	108 1/4"				152			

*All numbers given are nominal values and should be used for reference only. All product specifications are subject to change without prior notice.