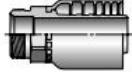

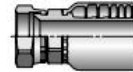


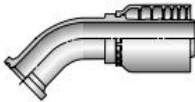
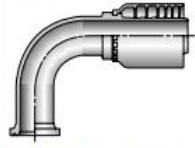



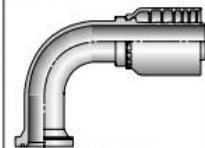

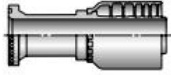

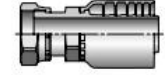
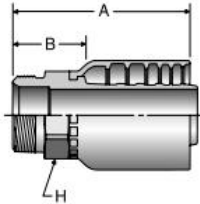
 <p><b>NPTF Pipe</b></p>	<p>101S6</p>  <p><i>Male - Rigid</i></p>	 <p><b>JIC 37°</b></p>	<p>106S6</p>  <p><i>Female - Swivel</i></p>	 <p><b>Code 61 Flange</b></p>	<p>14AS6</p>  <p><i>Flange (5000 psi)</i></p>
<p>14FS6</p>  <p><i>45° Elbow (5000 psi)</i></p>	<p>14NS6</p>  <p><i>90° Elbow (5000 psi)</i></p>	 <p><b>Code 62 Flange</b></p>	<p>16AS6</p>  <p><i>Flange Head - Straight</i></p>	<p>16FS6</p>  <p><i>45° Elbow</i></p>	<p>16NS6</p>  <p><i>90° Elbow</i></p>
 <p><b>Caterpillar® Flange</b></p>	<p>1XAS6</p>  <p><i>Flange</i></p>	 <p><b>Seal-Lok® (O-Ring Face Seal)</b></p>	<p>1JSS6</p>  <p><i>Female - Swivel</i></p>		

### 101S6

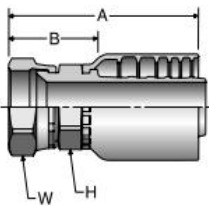
Male NPTF Pipe - Rigid



#			A		H	B	
Part Number	Thread inch	Hose I.D. inch	inch	mm	mm	inch	mm
101S6-32-32	2 x 11 1/2	2	5.88	149,5	2-1/2	2.44	61,9

### 106S6

Female JIC 37° - Swivel

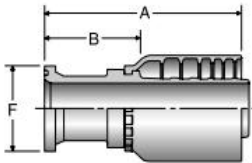


#			A		H	B	
Part Number	Thread inch	Hose I.D. inch	inch	mm	inch	inch	mm
106S6-32-32	2 1/2 x 12	2	6.52	165,7	2.5	3.08	78,2

106S6 is rated at 5,000 psi working pressure.

### 14AS6

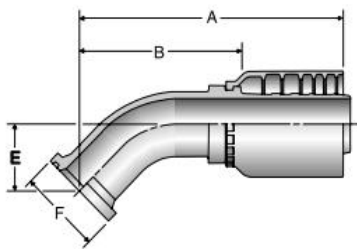
SAE Code 61 Flange Head - 5,000\* psi  
ISO 12151-3-S-L (5,000 psi)



#			A		F	B	
Part Number	Flange inch	Hose I.D. inch	inch	mm	inch	inch	mm
14AS6-32-32	2	2	6.72	170,8	2-13/16	3.28	83,3

### 14FS6

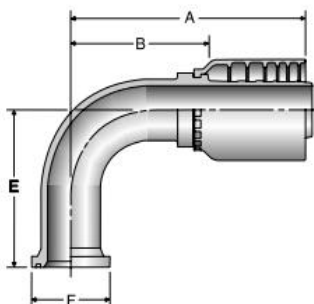
SAE Code 61 Flange Head - 45° Elbow - 5,000\* psi  
ISO 12151-3-E-45S-L (1 Piece: ISO 12151-3-E45M-L)



#			A		F	B		E	
Part Number	Flange inch	Hose I.D. inch	inch	mm	inch	inch	mm	inch	mm
14FS6-32-32	2	2	8.70	221,1	2-13/16	5.26	133,6	2.205	56,0

### 14NS6

SAE Code 61 Flange Head - 90° Elbow - 5,000\* psi  
ISO 12151-3-E-90S-L (1 Piece: ISO 12151-3-E90M-L)



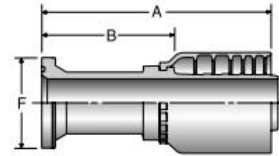
#			A		F	B		E	
Part Number	Flange inch	Hose I.D. inch	inch	mm	inch	inch	mm	inch	mm
14NS6-32-32	2	2	8.41	213,7	2-13/16	4.97	126,2	5.433	138,0

## 16AS6

SAE Code 62 Flange Head

ISO 12151-3-S-S

# Part Number	Flange inch	Hose I.D. inch	A		F	B	
			inch	mm	inch	inch	mm
16AS6-32-32	2	2	8.21	208,6	3-1/8	4.77	121,1

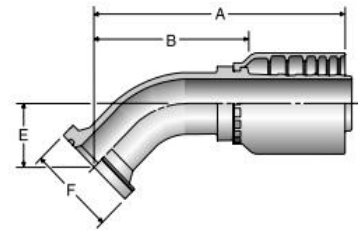


## 16FS6

SAE Code 62 Flange Head - 45° Elbow

ISO 12151-3-E45S-S (1 Piece: ISO 1251-3-E45-M-S)

# Part Number	Flange inch	Hose I.D. inch	A		F	B		E	
			inch	mm	inch	inch	mm	inch	mm
16FS6-32-32	2	2	8.70	221,1	3-1/8	5.26	133,6	2.205	56,0

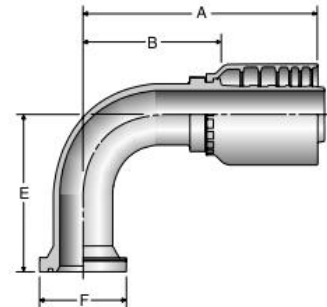


## 16NS6

SAE Code 62 Flange Head - 90° Elbow

ISO 12151-3-E90S-S (1 Piece: ISO 1251-3-E90M-S)

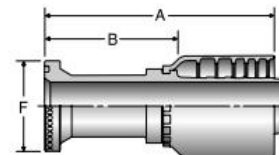
# Part Number	Flange inch	Hose I.D. inch	A		F	B		E	
			inch	mm	inch	inch	mm	inch	mm
16NS6-32-32	2	2	8.41	213,7	3-1/8	4.97	126,2	5.43	138,0



## 1XAS6

Caterpillar® Flange Head

# Part Number	Flange inch	Hose I.D. inch	A		F	B	
			inch	mm	inch	inch	mm
1XAS6-32-32	2	2	8.21	208,6	3-1/8	4.77	121



## 1JSS6

Female Seal-Lok - Swivel - Long

ISO 12151-1-SWSB

# Part Number	Thread		Hose I.D. inch	A		H	W	B	
	inch	inch		inch	mm	inch	inch	inch	mm
1JSS6-32-32	2	2-1/2X12	2	6.46	164,2	2.5	2-7/8	3.02	76,7

