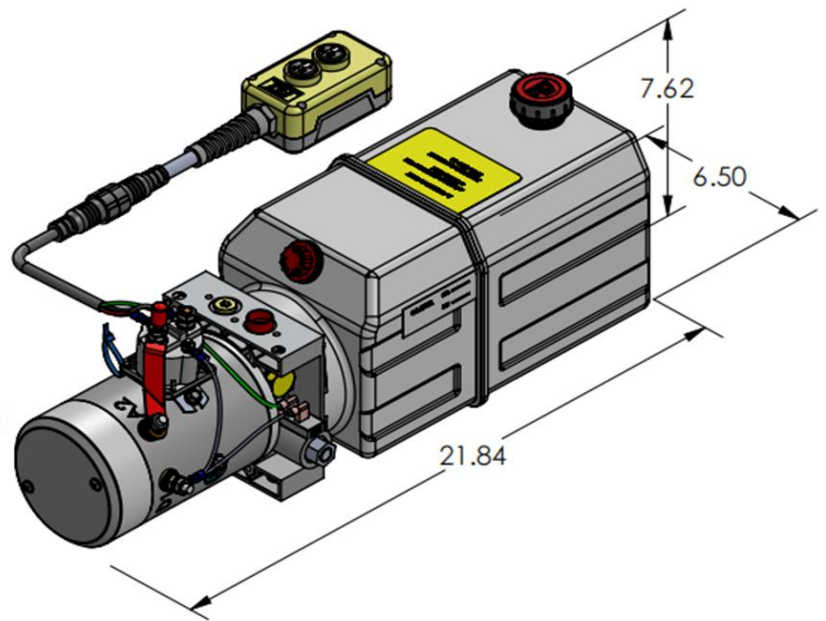
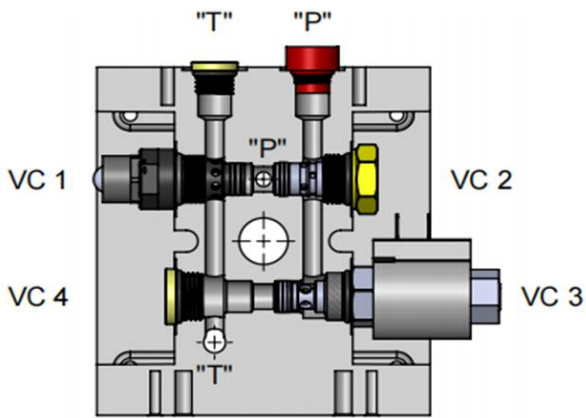


DESCRIPTION:

Universal Manifold I, Hydraulic Circuit 103A.
Base lift, check, and lowering circuit power unit.
Motor, Universal Manifold I® (with cartridge relief valve, cartridge check valve, cartridge NO 2 way poppet valve), Pump, Tank.
"P" & "T" SAE #6(9/16-18) O-ring ports.

HYDRAULIC CIRCUIT 103A



CAVITY 1: CARTRIDGE RELIEF VALVE
CAVITY 2: CARTRIDGE CHECK VALVE
CAVITY 3: NO 2W2P SOLENOID VALVE
CAVITY 4: VALVE PLUG

AS SHOWN:
MOTOR: 12V DC
MANIFOLD: UNIVERSAL MANIFOLD I®.
PUMP: PL SERIES
RESERVOIR: 6 QT PLASTIC

HYDRAULIC CIRCUIT 103A:

MOTOR

OD 3.0" 12V DC
OD 4.5" 12/24V DC
OD 5.0" 12/24V DC
1/2 HP-5 HP AC

PUMP

PL	IN ³
0.6	0.0384
6.0	0.3681

RESERVOIR

PLASTIC RESERVOIR
3 QT----14 QT

STEEL RESERVOIR
1.5 QT----7 GALLON

MOUNTING

HORIZONTAL
VERTICAL

MISC

DC START SWITCH
REMOTE PENDANT