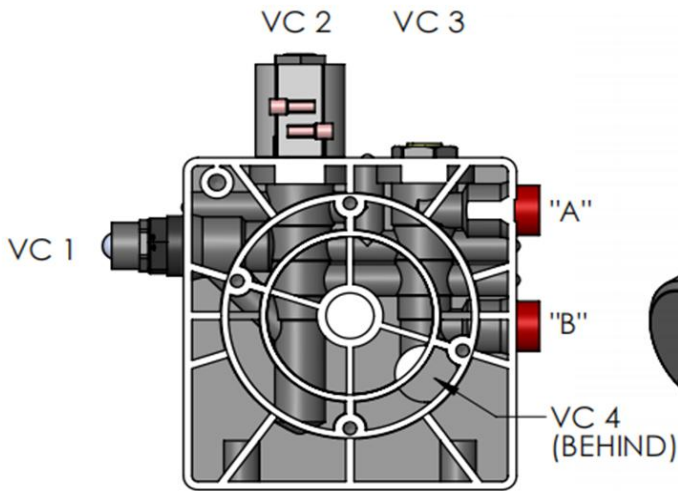


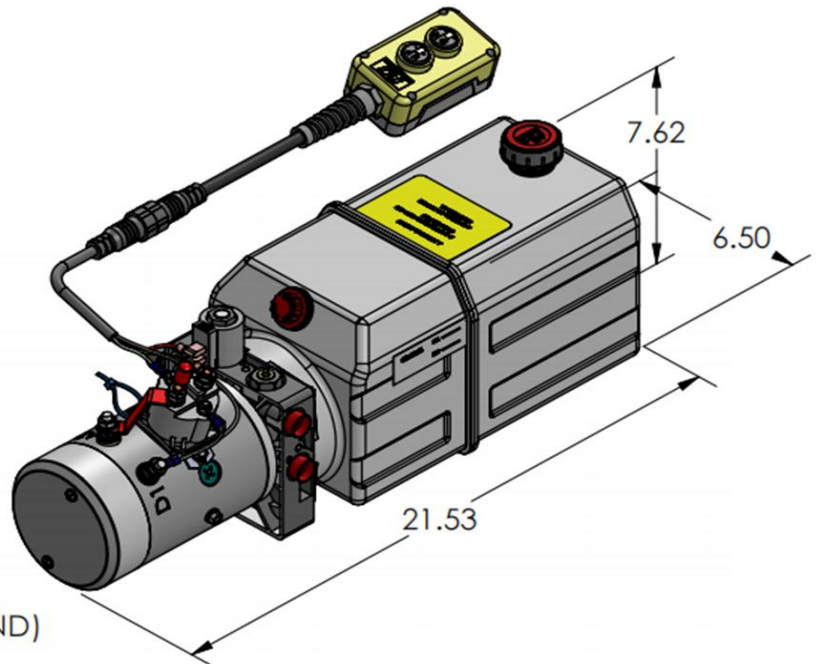
HYDRAULIC CIRCUIT 108
(OPTIONAL 2ND RV)

DESCRIPTION:

Universal Manifold II, Hydraulic Circuit 108.
Double acting circuit for power up, power down operation.
Motor, Universal Manifold II® (with cartridge relief valve, 4w2p valve, dual pilot operated check valve, optional secondary relief valve), Pump, Tank.
"A" & "B" SAE #6(9/16-18) O-ring ports.



CAVITY 1: CARTRIDGE RELIEF VALVE
CAVITY 2: 4W2P DIRECTION VALVE
CAVITY 3: DUAL PILOT OPERATED CHECK VALVE
CAVITY 4: (OPTIONAL 2ND RELIEF VALVE)



AS SHOWN:
MOTOR: 12V DC
MANIFOLD: UNIVERSAL MANIFOLD II®.
PUMP: PL SERIES
RESERVOIR: 6 QT PLASTIC
2 BUTTON REMOTE PENDANT W/QD

HYDRAULIC CIRCUIT 108:

MOTOR

OD 3.0" 12V DC
OD 4.5" 12/24V DC

PUMP

PL	IN ³
0.6	0.0384
6.0	0.3681

RESERVOIR

PLASTIC RESERVOIR
3 QT----14 QT

STEEL RESERVOIR
1.5 QT----7 GALLON

MOUNTING

HORIZONTAL
VERTICAL

MISC

DC START SWITCH
REMOTE PENDANT