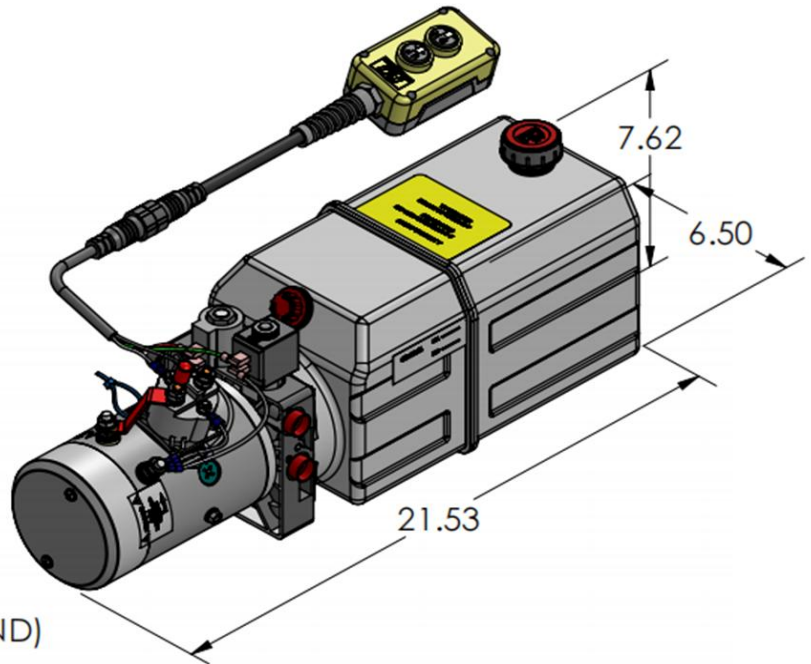
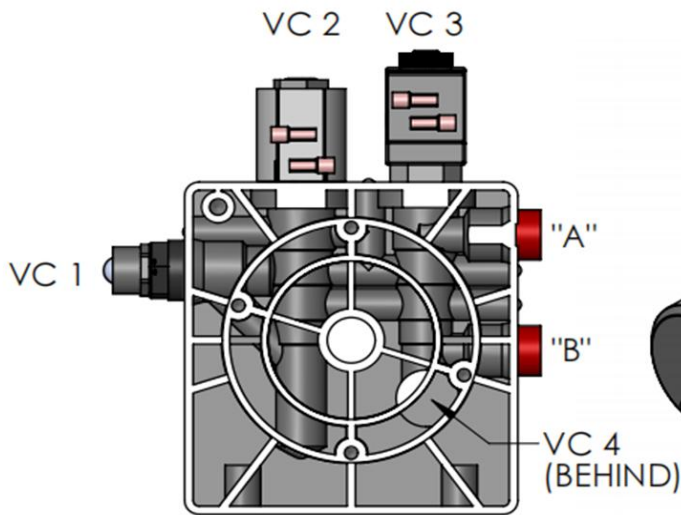


HYDRAULIC CIRCUIT 109

DESCRIPTION:

Universal Manifold I, Hydraulic Circuit 109.
 Double acting circuit for power up, power down operation.
 Motor, Universal Manifold II® (with cartridge relief valve, 4w2p valve, NC 2w valve), Pump, Tank.
 "A" & "B" SAE #6(9/16-18) O-ring ports.



CAVITY 1: CARTRIDGE RELIEF VALVE
 CAVITY 2: 4W2P DIRECTION VALVE
 CAVITY 3: NC 2W VALVE
 CAVITY 4: PLUG

AS SHOWN:
 MOTOR: 12V DC
 MANIFOLD: UNIVERSAL MANIFOLD II®.
 PUMP: PL SERIES
 RESERVOIR: 6 QT PLASTIC
 2 BUTTON REMOTE PENDANT W/QD

HYDRAULIC CIRCUIT 109:

MOTOR

OD 3.0" 12V DC
 OD 4.5" 12/24V DC

PUMP

PL	IN ³
0.6	0.0384
6.0	0.3681

RESERVOIR

PLASTIC RESERVOIR
 3 QT----14 QT

STEEL RESERVOIR
 1.5 QT----7 GALLON

MOUNTING

HORIZONTAL
 VERTICAL

MISC

DC START SWITCH
 REMOTE PENDANT