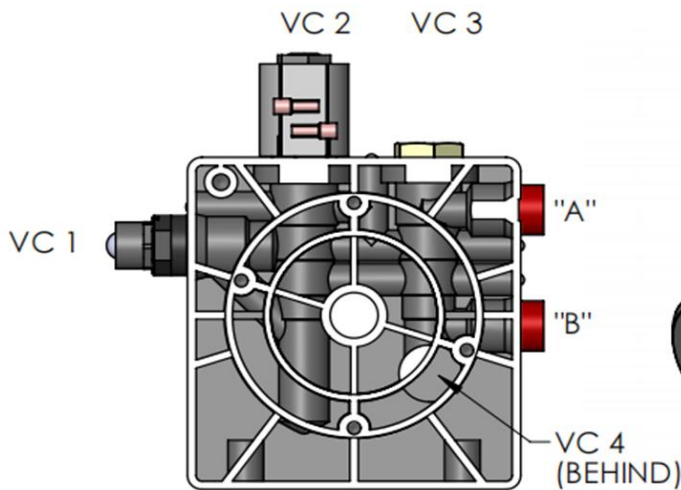


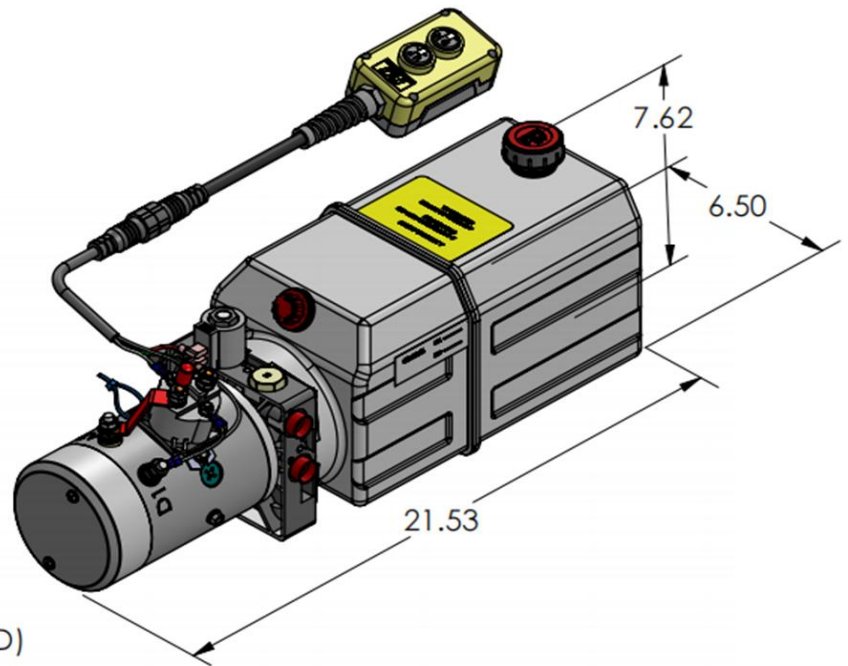
**HYDRAULIC CIRCUIT 114**

**DESCRIPTION:**

Universal Manifold II, Hydraulic Circuit 114. Double acting circuit for power up, power down operation. Motor, Universal Manifold II® (with cartridge relief valve, 4w2p valve, 4w cavity plug), Pump, Tank. "A" & "B" SAE #6(9/16-18) O-ring ports.



CAVITY 1: CARTRIDGE RELIEF VALVE  
 CAVITY 2: 4W2P DIRECTION VALVE  
 CAVITY 3: 4W CAVITY PLUG  
 CAVITY 4: PLUG



AS SHOWN:  
 MOTOR: 12V DC  
 MANIFOLD: UNIVERSAL MANIFOLD II®.  
 PUMP: PL SERIES  
 RESERVOIR: 6 QT PLASTIC  
 2 BUTTON REMOTE PENDANT W/QD

**HYDRAULIC CIRCUIT 114:**

**MOTOR**  
 OD 3.0" 12V DC  
 OD 4.5" 12/24V DC

**PUMP**  
 PL IN<sup>3</sup>  
 0.6 0.0384  
 | |  
 6.0 0.3681

**RESERVOIR**  
 PLASTIC RESERVOIR  
 3 QT----14 QT

STEEL RESERVOIR  
 1.5 QT----7GALLON

**MOUNTING**  
 HORIZONTAL  
 VERTICAL

**MISC**  
 DC START SWITCH  
 REMOTE PENDANT