

Type VOSLP/N78/.... counterbalance valves

- Single acting
- External pilot

Port size
VOSLP/N78/14/G3.p4/ac

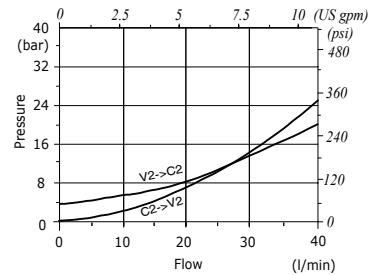
| Type | Selection 1 | Selection 2 | Nominal flow | Max. pressure | ports | weight |
|--------------------|-------------|-------------|---------------|---------------|----------|-------------|
| | | | l/min(US gpm) | bar(psi) | | Kg(lb) |
| VOSLP/N78 P4/ac | 3/5 | G/Z | 40(10.57) | 350(5100) | All G1/4 | 0.723(1.59) |
| VOSLP/N78/S6 P4/ac | | | 40(10.57) | 350(5100) | All SAE6 | 0.723(1.59) |

| Hydraulic diagram | Type | Execution | Operation/ Features | Max. flow up to | | Max.press. up to | |
|-------------------|------------------|---------------|---------------------|-----------------|--------|-------------------|--------------------|
| | | | | l/min | US gpm | bar | psi |
| | VOSLP/N78 | single acting | external pilot | 40 | 10.6 | 350 steel body | 5100 steel body |

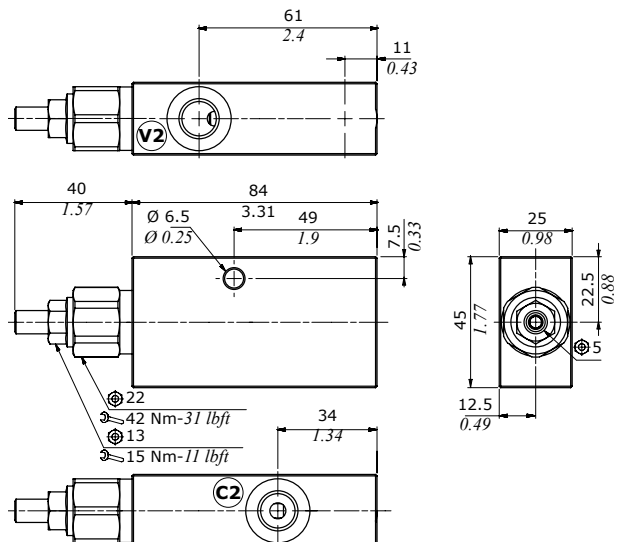
Ordering codes and description

Dimensions

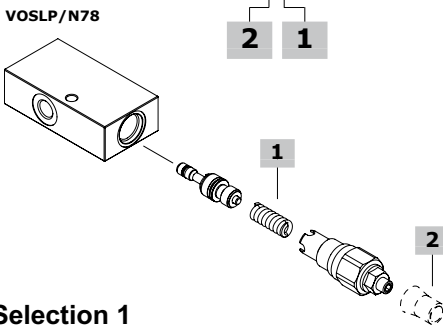
Pressure drop vs. flow from C2->V2 and V2->C2



Rating diagrams



Port size
VOSLP/N78/14/G3.p4/ac



Selection 1

| TYPE | DESCRIPTION |
|------|---|
| 3 | For range 60-220 bar (870-3190 psi) standard setting 150 bar (2170 psi) @ 5 l/min (1.32 US gpm) |
| 5 | For range 100-350 bar (1450-5075 psi) standard setting 280 bar (4060 psi) @ 5 l/min (1.32 US gpm) |

Selection 2

| TYPE | DESCRIPTION |
|------|-------------------|
| G | Screw setting |
| Z | Antitampering cap |