

Type VODL/ML counterbalance valves

- Double acting
- Load sensitive
- Flange assembling according to ISO 4401:2005 (CETOP)

VODL/ML 6-38/TR.S.p4

Type	Selection 1	Selection 2	Nominal flow	Max. pressure	ports	weight
			l/min(US gpm)	bar(psi)		Kg(lb)
VODL/ML 6-38	TR.S	p4/p7	35(9.2)	210(3050)		1.75(3.86)
VODL/ML 6-38 ac			35(9.2)	350(5100)		3.70(8.16)
VODL/ML 10-12			70(18.5)	210(3050)		3.25(7.147)
VODL/ML 10-12 ac			70(18.5)	350(5100)		7.55(16.64)

Hydraulic diagram	Type	Execution	Operation/Features	Max. flow up to		Max.press. up to	
				l/min	US gpm	bar	psi
	VODL/ML	double acting	load sensitive, CETOP flange connection	70	18.5	210 alum. body 350 steel body	3050 alum. body 5100 steel body

Ordering codes and description

Selection 1

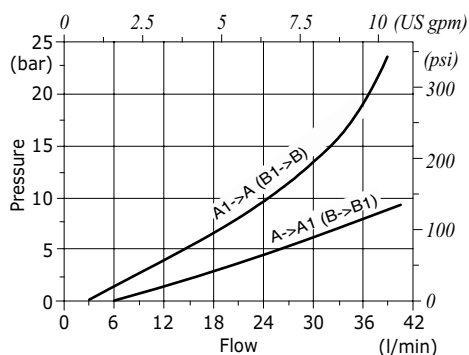
TYPE	DESCRIPTION
TR.S	range 50-350 bar (725-5075 psi), std setting 280 bar (4060 psi) @ 5 l/min (1.32 US gpm)

Selection 2

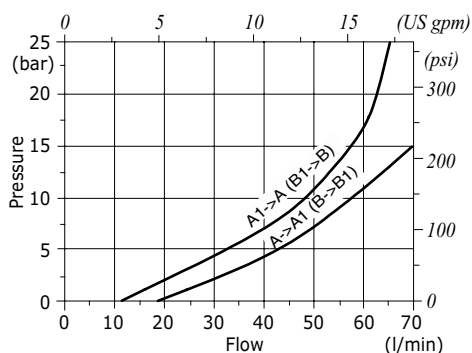
TYPE	DESCRIPTION
p4	pilot ratio 1:4
p7	pilot ratio 1:7

Rating diagrams

VOSL/ML 6-38 pressure drop vs. flow from A->A1 (B->B1) and A1->A (B1->B)

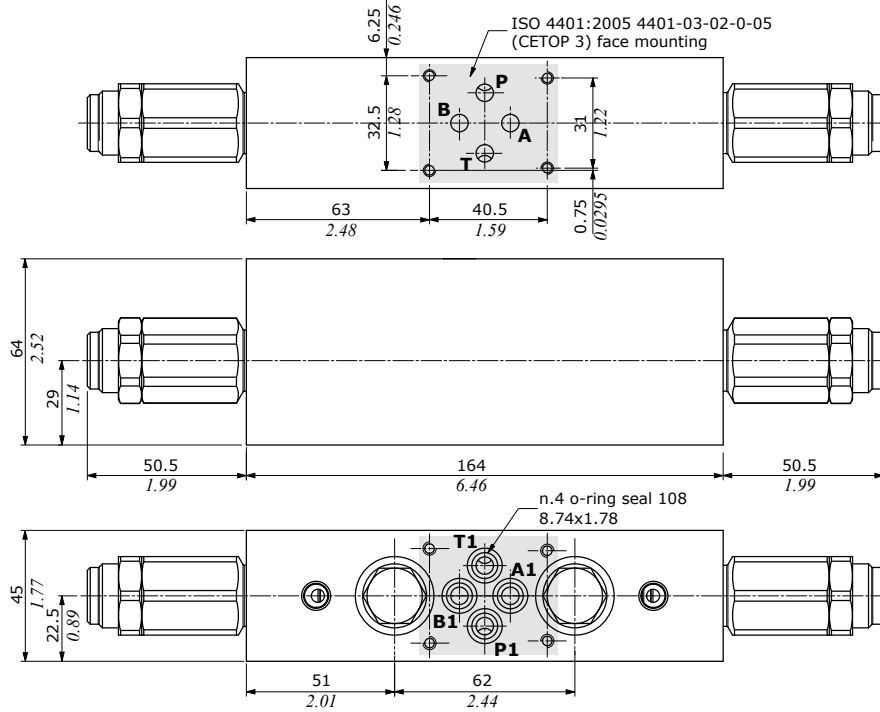


VOSL/ML 10-12 pressure drop vs. flow from A->A1 (B->B1) and A1->A (B1->B)



Dimensions

VODL/ML 6-38



VODL/ML 10-12

