

3000PSI TIE-ROD DOUBLE ACTING CYLINDER WITH:

ROD: Steel 1045, rod with 28-32 HRC hardness, 0.001"chrome thickness. ASTM B117-18 salt spray testing up to 96 hours.

TUBE: Precision honed steel for extended seal life.

GLAND: Ductile Iron, drilled oil passages.

PISTON: Ductile Iron, for increased durability.

END MOUNTS: Ductile Iron female clevis with pins and clips.
With 2 ORB ports at 90° to each other for flexibility of assembly.

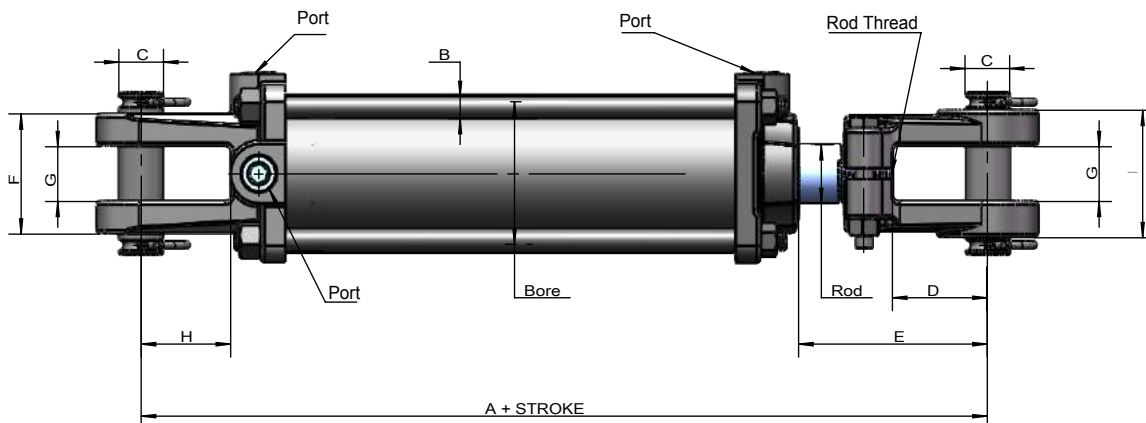
PIN: Steel, zinc plated.

PORTS: Standard SAE
(NPT Available upon request).

ROD CLEVIS: Ductile Iron, thread female clevis with pins and clips included. Adjustable with locking bolt.

SEALS: Top quality, Hallite Brand Seals.

PAINT: High quality paint for corrosion resistance up to 360 hours.
Standard color is Black. Custom colors are available.



*All DIMENSIONS ARE INCHES.

BORE	ROD THREAD	PORTS	A	B	C	D	E	F	G	H	I
2.00"	1 1/8-12 UNF	SAE 8	10.25"	M10	1.0"	2.125"	3.502"	2.50"	1.165"	2.008"	2.504"
2.50"	1 1/8-12 UNF	SAE 8	10.25"	M10	1.0"	2.125"	3.502"	2.50"	1.165"	2.008"	2.504"
3.00"	1 1/4-12 UNF	SAE 8	10.25"	M12	1.0"	2.125"	3.502"	2.56"	1.165"	2.008"	2.717"
3.50"	1 1/4-12 UNF	SAE 8	10.25"	M14	1.0"	2.125"	3.502"	2.56"	1.165"	2.008"	2.717"
4.00"	1 1/4-12 UNF	SAE 8	10.25"	M16	1.0"	2.125"	3.502"	2.76"	1.165"	2.008"	2.717"
5.00"	1 1/2-12 UNF	SAE 12	12.25"	M20	1.25"	2.125"	3.502"	2.95"	1.200"	2.118"	2.953"

For 8.00" ASAE STROKE: A= 12.25"

For 16.00" ASAE STROKE: A= 15.50" , C= 1.25"

For TR3.0-4016-ASAE-LD, Rod diameter is 2.00"

The LDTH 3000PSI Tie Rod Cylinders were designed in rugged agriculture applications that suitable used in any industry. Each cylinder undergoes rigorous testing for over 50,000 circles with 2500PSI equivalent load. Good reliable quality ensures **2 Years Limited Warranty**.

*All numbers given are nominal values and should be used for reference only. All product specifications are subject to change without prior notice.



3000 PSI TIE-ROD CYLINDER TYPE

PART NUMBER	BORE & STROKE	DIMENSIONS		ROD DIAMETER	PIN SIZE	PORTS	COLUMN LOADS (LBS)	WEIGHT (LBS)
		RETRACTED	EXTENDED					
TR3.0-2004-LD	2"x4"	14 1/4"	18 1/4"	1 1/8"	1"	SAE8	9420	16
TR3.0-2006-LD	2"x6"	16 1/4"	22 1/4"				9420	17
TR3.0-2008-LD	2"x8"	18 1/4"	26 1/4"				9420	19
TR3.0-2008-ASAE-LD	2"x8"	20 1/4"	28 1/4"				9420	20
TR3.0-2010-LD	2"x10"	20 1/4"	30 1/4"				9420	20
TR3.0-2012-LD	2"x12"	22 1/4"	34 1/4"				9420	22
TR3.0-2014-LD	2"x14"	24 1/4"	38 1/4"				9420	24
TR3.0-2016-LD	2"x16"	26 1/4"	42 1/4"				9420	25
TR3.0-2018-LD	2"x18"	28 1/4"	46 1/4"				8310	27
TR3.0-2020-LD	2"x20"	30 1/4"	50 1/4"				7050	28
TR3.0-2022-LD	2"x22"	32 1/4"	54 1/4"				6050	30
TR3.0-2024-LD	2"x24"	34 1/4"	58 1/4"				5250	31
TR3.0-2030-LD	2"x30"	40 1/4"	70 1/4"				3610	36
TR3.0-2036-LD	2"x36"	46 1/4"	82 1/4"				2630	41
TR3.0-2504-LD	2.5"x4"	14 1/4"	18 1/4"				1 1/8"	1"
TR3.0-2506-LD	2.5"x6"	16 1/4"	22 1/4"	14720	21			
TR3.0-2508-LD	2.5"x8"	18 1/4"	26 1/4"	14720	22			
TR3.0-2508-ASAE-LD	2.5"x8"	20 1/4"	28 1/4"	14720	23			
TR3.0-2510-LD	2.5"x10"	20 1/4"	30 1/4"	14720	24			
TR3.0-2512-LD	2.5"x12"	22 1/4"	34 1/4"	14720	26			
TR3.0-2514-LD	2.5"x14"	24 1/4"	38 1/4"	14720	28			
TR3.0-2516-LD	2.5"x16"	26 1/4"	42 1/4"	14720	29			
TR3.0-2518-LD	2.5"x18"	28 1/4"	46 1/4"	12790	32			
TR3.0-2520-LD	2.5"x20"	30 1/4"	50 1/4"	10840	34			
TR3.0-2524-LD	2.5"x24"	34 1/4"	58 1/4"	8070	38			
TR3.0-2528-LD	2.5"x28"	38 1/4"	66 1/4"	6240	40			
TR3.0-2530-LD	2.5"x30"	40 1/4"	70 1/4"	5550	43			
TR3.0-2536-LD	2.5"x36"	46 1/4"	82 1/4"	4050	49			
TR3.0-2548-LD	2.5"x48"	58 1/4"	106 1/4"	2430	60			
TR3.0-3004-LD	3"x4"	14 1/4"	18 1/4"	1 1/4"	1"	SAE8	21200	24
TR3.0-3006-LD	3"x6"	16 1/4"	22 1/4"				21200	26
TR3.0-3008-LD	3"x8"	18 1/4"	26 1/4"				21200	28
TR3.0-3008-ASAE-LD	3"x8"	20 1/4"	28 1/4"				21200	29
TR3.0-3010-LD	3"x10"	20 1/4"	30 1/4"				21200	30
TR3.0-3012-LD	3"x12"	22 1/4"	34 1/4"				21200	33
TR3.0-3014-LD	3"x14"	24 1/4"	38 1/4"				21200	35
TR3.0-3016-LD	3"x16"	26 1/4"	42 1/4"				21200	37
TR3.0-3016-ASAE-LD	3"x16"	31 1/2"	47 1/2"				21200	42
TR3.0-3018-LD	3"x18"	28 1/4"	46 1/4"				21200	42
TR3.0-3020-LD	3"x20"	30 1/4"	50 1/4"	21200	44			
TR3.0-3024-LD	3"x24"	34 1/4"	58 1/4"	16580	49			
TR3.0-3030-LD	3"x30"	40 1/4"	70 1/4"	11410	57			
TR3.0-3036-LD	3"x36"	46 1/4"	82 1/4"	8330	65			
TR3.0-3048-LD	3"x48"	58 1/4"	106 1/4"	4990	75			
TR3.0-3060-LD	3"x60"	70 1/4"	130 1/4"	3320	93			

*All numbers given are nominal values and should be used for reference only. All product specifications are subject to change without prior notice.



3000 PSI TIE-ROD CYLINDER TYPE

PART NUMBER	BORE & STROKE	DIMENSIONS		ROD DIAMETER	PIN SIZE	PORTS	COLUMN LOADS (LBS)	WEIGHT (LBS)	
		RETRACTED	EXTENDED						
TR3.0-3504-LD	3.5"x4"	14 1/4"	18 1/4"	1 1/2"	1"	SAE8	28860	29	
TR3.0-3506-LD	3.5"x6"	16 1/4"	22 1/4"				28860	32	
TR3.0-3508-LD	3.5"x8"	18 1/4"	26 1/4"				28860	34	
TR3.0-3508-ASAE-LD	3.5"x8"	20 1/4"	28 1/4"				28860	35	
TR3.0-3510-LD	3.5"x10"	20 1/4"	30 1/4"				28860	37	
TR3.0-3512-LD	3.5"x12"	22 1/4"	34 1/4"				28860	39	
TR3.0-3514-LD	3.5"x14"	24 1/4"	38 1/4"				28860	42	
TR3.0-3516-LD	3.5"x16"	26 1/4"	42 1/4"				28860	44	
TR3.0-3516-ASAE-LD	3.5"x16"	31 1/2"	47 1/2"		1 1/4"		1 1/4"	22350	50
TR3.0-3518-LD	3.5"x18"	28 1/4"	46 1/4"		1"		26730	47	
TR3.0-3520-LD	3.5"x20"	30 1/4"	50 1/4"				22660	49	
TR3.0-3524-LD	3.5"x24"	34 1/4"	58 1/4"				16880	58	
TR3.0-3530-LD	3.5"x30"	40 1/4"	70 1/4"				11610	66	
TR3.0-3536-LD	3.5"x36"	46 1/4"	82 1/4"				8480	74	
TR3.0-3548-LD	3.5"x48"	58 1/4"	106 1/4"				5080	91	
TR3.0-4004-LD	4"x4"	14 1/4"	18 1/4"				1 1/2"	1"	37690
TR3.0-4006-LD	4"x6"	16 1/4"	22 1/4"	37690		36			
TR3.0-4008-LD	4"x8"	18 1/4"	26 1/4"	37690	38				
TR3.0-4008-ASAE-LD	4"x8"	20 1/4"	28 1/4"	37690	39				
TR3.0-4010-LD	4"x10"	20 1/4"	30 1/4"	37690	41				
TR3.0-4012-LD	4"x12"	22 1/4"	34 1/4"	37690	44				
TR3.0-4014-LD	4"x14"	24 1/4"	38 1/4"	37690	46				
TR3.0-4016-LD	4"x16"	26 1/4"	42 1/4"	1 3/4"	37690	49			
TR3.0-4016-ASAE-LD	4"x16"	31 1/2"	47 1/2"	2"	1 1/4"	37690		63	
TR3.0-4018-LD	4"x18"	28 1/4"	46 1/4"	1 3/4"	1"	37690		66	
TR3.0-4020-LD	4"x20"	30 1/4"	50 1/4"	37690		70			
TR3.0-4024-LD	4"x24"	34 1/4"	58 1/4"	37690		79			
TR3.0-4026-LD	4"x26"	36 1/4"	62 1/4"	37690		84			
TR3.0-4030-LD	4"x30"	40 1/4"	70 1/4"	2"		36070		92	
TR3.0-4036-LD	4"x36"	46 1/4"	82 1/4"	26340		98			
TR3.0-4048-LD	4"x48"	58 1/4"	106 1/4"	15790		123			
TR3.0-5004-LD	5"x4"	16 1/4"	20 1/4"	2"		1 1/4"	58900	71	
TR3.0-5006-LD	5"x6"	18 1/4"	24 1/4"		58900		76		
TR3.0-5008-ASAE-LD	5"x8"	22 1/4"	30 1/4"		58900		81		
TR3.0-5010-LD	5"x10"	22 1/4"	30 1/4"		58900		86		
TR3.0-5012-LD	5"x12"	24 1/4"	36 1/4"		58900		91		
TR3.0-5014-LD	5"x14"	26 1/4"	40 1/4"		58900		96		
TR3.0-5016-LD	5"x16"	28 1/4"	44 1/4"		58900		101		
TR3.0-5016-ASAE-LD	5"x16"	31 1/2"	47 1/2"		58900		104		
TR3.0-5018-LD	5"x18"	30 1/4"	48 1/4"		58900	106			
TR3.0-5020-LD	5"x20"	32 1/4"	52 1/4"		58900	112			
TR3.0-5024-LD	5"x24"	36 1/4"	60 1/4"		58900	122			
TR3.0-5030-LD	5"x30"	42 1/4"	72 1/4"		56340	137			
TR3.0-5036-LD	5"x36"	48 1/4"	84 1/4"		41380	153			
TR3.0-5048-LD	5"x48"	60 1/4"	108 1/4"		25020	163			

*All numbers given are nominal values and should be used for reference only. All product specifications are subject to change without prior notice.