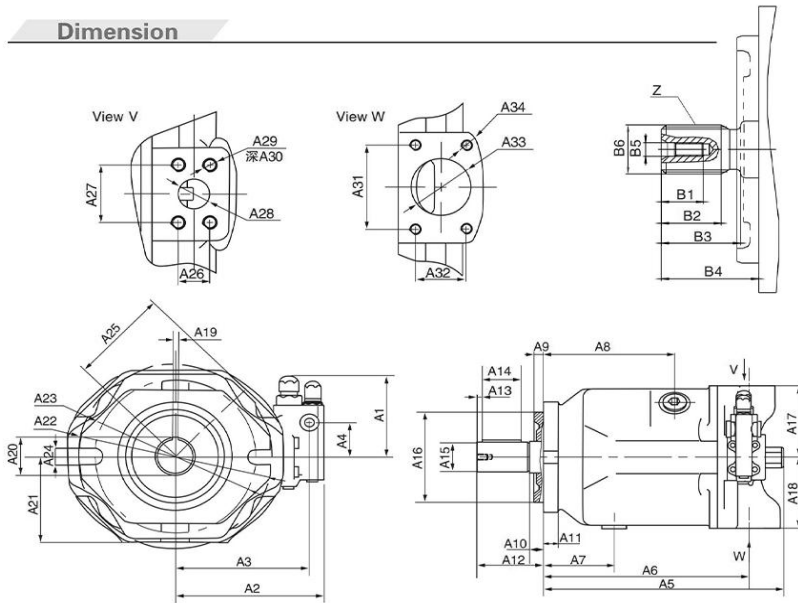


## Dimension



## A10VSO/31 Series

The A10VSO/31 series is a medium pressure diagonal disc piston pump with constant pressure control, constant flow control, constant power control, remote pressure regulation control and other modes. It has the advantages of simple structure, small volume, light weight, low noise, long service life, etc., which can be combined into series pump drive and is widely used in the fields of metallurgical machinery, mining machinery, industrial machinery, engineering machinery, etc.

Please inform us your required specification before installation, user guide will be provided.

## Technical Specification

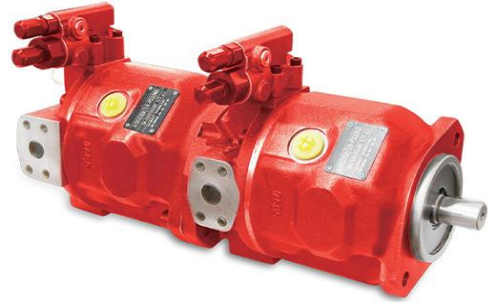
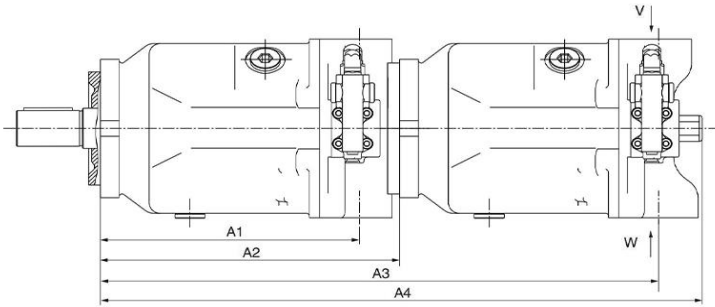
Model	A10VSO18/31	A10VSO28/31	A10VSO45/31	A10VSO71/31	A10VSO100/31	A10VSO140/31
Displacement	18 mL/r	28 mL/r	45 mL/r	71 mL/r	100 mL/r	140 mL/r
Direction of rotation (View from shaft end)	R:Clockwise			L:Counter clockwise		
Rated speed	2200 r/min	2000 r/min	1500 r/min	1500 r/min	1500 r/min	1500 r/min
Max.speed	3300 r/min	3000 r/min	2600 r/min	2200 r/min	2000 r/min	1800 r/min
Absolute pressure	0.03~3 MPa					
Rated pressure	28 MPa					
Max.pressure	35 MPa					
Recommended oil	L-HM46 ( Summer )			L-HM32 ( Winter )		
Housing pressure	≤0.2 MPa					
Working mode	Open circuit system					

Specification	A1	A2	A3	A4	A5	A6	A7	A8	A9	A10	A11	A12	A13	A14	A15	A16	A17
A10VSO18/31	105	125	119	40	195	145	43	83	7	8	11.5	26	2	25	Φ18	Φ80	63
A10VSO28/31	105	135	119	40	206	165	40	90	9	10	13	46	2	32	Φ22	Φ100	80
A10VSO45/31	105	145	129	40	224	184	45	96	9	10	13	52	3	36	Φ25	Φ100	90
A10VSO71/31	105	160	143	40	257	217	53	115	9	10	20	60	2.5	45	Φ32	Φ125	104
A10VSO100/31	105	165	148	40	326	275	95	175	9	10	17	80	1.5	68	Φ40	Φ125	100
A10VSO140/31	105	209	183	40	337	275	78	173	9	10	21	92	1.5	80	Φ45	Φ180	110

Specification	A18	A19	A20	A21	A22	A23	A24	A25	A26	A27	A28	A29	A30	A31	A32	A33	A34
A10VSO18/31	63	6	20.5	68		109	11	66	22.2	47.6	20	M10	20	52.4	26.2	25	M10
A10VSO28/31	80	6	24.5	75	174	140	14	74	22.2	47.6	20	M10	17	58.7	30.2	32	M10
A10VSO45/31	90	8	28	81	177	140	14	83	26.2	52.4	25	M10	17	70	35.7	40	M12
A10VSO71/31	104	10	35	92	210	180	18	98	30.2	58.7	25	M10	20	78	43	50	M12
A10VSO100/31	100	12	43	95		180	17.5	106	31.8	66.7	32	M14	19	89	50	61	M12
A10VSO140/31	110	14	48.5	108		224	18	118.5	31.8	66.7	32	M14	20	89	50	63	M12

Specification	S						U					
	B1	B2	B3	B4	B5	B6	B1	B2	B3	B4	B5	B6
A10VSO18/31	12.5	22	30	38	No.12-24 UNC	9T-16/32DP	12.5	15.8	23.8	31.8	No.12-24 UNC	11T-16/32DP
A10VSO28/31	16	25	33	41	1/4-20 UNC	13T-16/32DP						
A10VSO45/31	16	30	38	46	1/4-20 UNC	15T-16/32DP	16	25	33	41	1/4-20 UNC	13T-16/32DP
A10VSO71/31	19	39.5	47.5	55.4	5/16-18 UNC	14T-12/24DP						
A10VSO100/31	28	43.6	54	70	7/16-14 UNC	17T-12/24DP	19	39.5	47.5	55.4	5/16-18 UNC	14T-12/24DP
A10VSO140/31	36	55	67	75	5/8-11 UNC	13T-8/16DP						

Dimension



**A10VSO/31 Tandem Pumps**

The A10VSO/31 series is a medium pressure diagonal disc piston pump with constant pressure control, constant flow control, constant power control, remote pressure regulation control and other modes. It has the advantages of simple structure, small volume, light weight, low noise, long service life, etc., which can be combined into series pump drive and is widely used in the fields of metallurgical machinery, mining machinery, industrial machinery, engineering machinery, etc.

Please inform us your required specification before installation, user guide will be provided.

Specification	A10VSO18				A10VSO28				A10VSO45				A10VSO71				A10VSO100				A10VSO140			
	A1	A2	A3	A4	A1	A2	A3	A4	A1	A2	A3	A4	A1	A2	A3	A4	A1	A2	A3	A4	A1	A2	A3	A4
A10VSO18	145	182	327	377	165	204	349	399	184	229	374	424	217	267	412	462	275	338	483	533	275	350	495	545
A10VSO28	/	/	/	/	165	204	369	410	184	229	394	435	217	267	432	473	275	338	503	544	275	350	514	556
A10VSO45	/	/	/	/	/	/	/	/	184	229	413	448	217	267	451	486	275	338	522	557	275	350	534	569
A10VSO71	/	/	/	/	/	/	/	/	/	/	/	/	217	267	484	526	275	338	555	597	275	350	567	609
A10VSO100	/	/	/	/	/	/	/	/	/	/	/	/	/	/	/	/	275	338	613	668	275	350	625	680
A10VSO140	/	/	/	/	/	/	/	/	/	/	/	/	/	/	/	/	/	/	/	/	275	350	625	687